

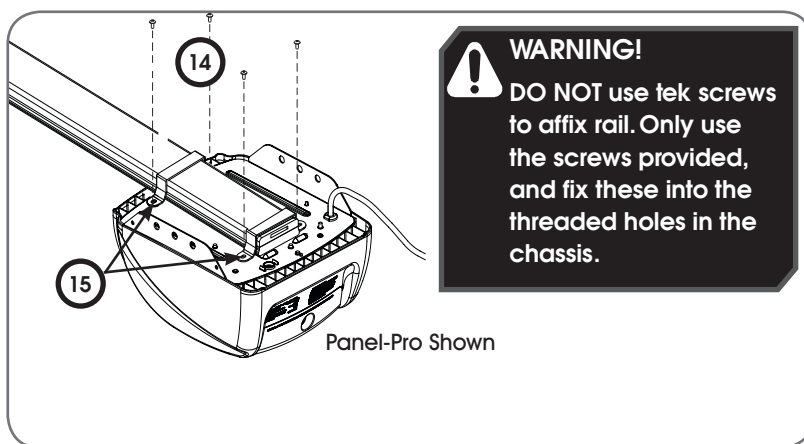
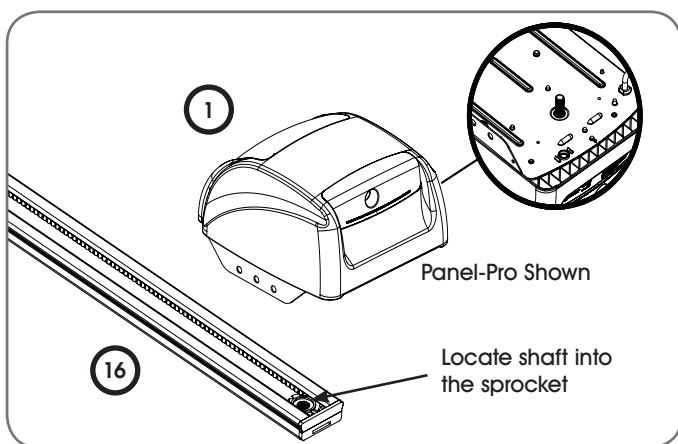
Dominator[®] Lockable Rail Track

Suits Dominator Smart, Secure, Select, Advance and Panel-Pro.
For other model openers, please consult your Dominator Dealer.

These instructions replace information in the opener manuals when describing how to install the track. Ensure you follow the opener manual and use the below instructions when referencing the track.

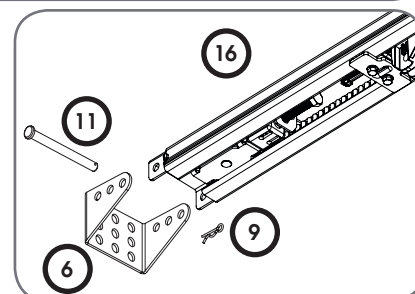
Secure C-Rail to Opener:

- Remove the Opener from the box.
- Locate and insert the shaft of drive unit (1) into the C-Rail's sprocket.
- Fix the two track brackets (15) with four (4) M4 x 8 screws (14) supplied in accessory pack.
- Place drive unit back in packing box for protection.



Attach the Rail to the wall bracket

- Leave the drive unit in its packing box on the floor for protection and lift the other end of the C-Rail.
- Attach the C-Rail assembly (16) to the wall bracket (6) with the 90mm long pin (11) and secure with the supplied pin snap (9).

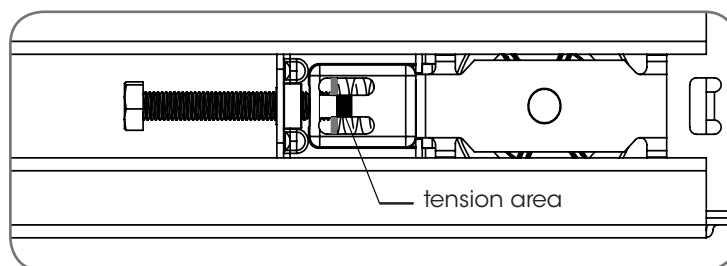


Note: Limits must be set before you tension the track.

Tension the track

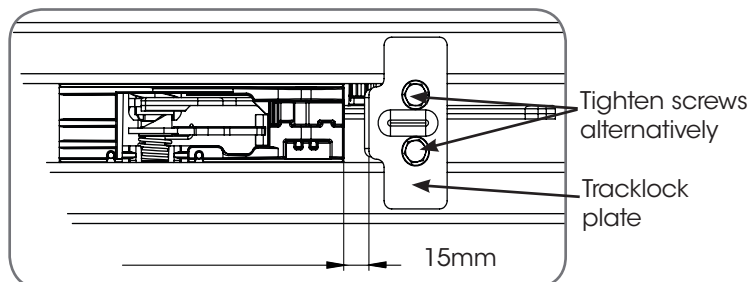
The track is pre-tensioned.

- Once the limits are set, run the opener checking the belt tension.
- If required adjust the tension by rotating the tension bolt (small increments at a time) re-testing after each adjustment.
- Ensure the tension indicator stays within the designated area.



Set the Tracklock

- Drive the door to the fully closed position.
- Move the Tracklock plate towards the shuttle so there is a 15mm gap between the shuttle and the plate.
- Tighten both screws alternatively on the tracklock plate.



DOMINATOR[®]

Your Door CAN NOT be used by the opener when:

- a. There is an external locking device installed.
- b. There is a power failure.

Your Door CAN be used when:

- a. There is an emergency, by disengaging the opener.
- b. There is a power failure, by disengaging the opener.

To Disengage the Opener:

- a. It is recommended to do so with the door in the closed position.
- b. Pull the manual release cord away from the door, until you hear a click.
- c. Move the door manually.

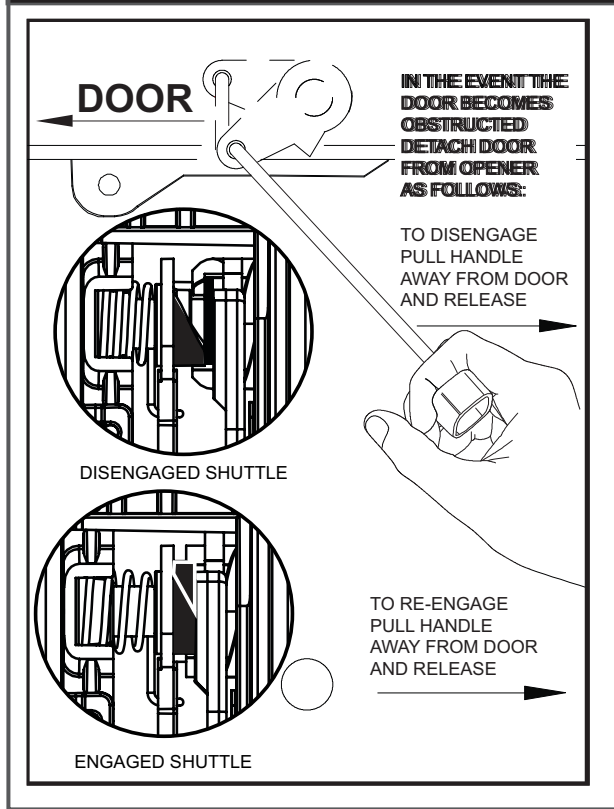
CAUTION: When the opener is manually disengaged, the door is no longer locked. To lock the door manually, re-engage the opener after the door is closed.

To Re-Engage the Opener:

- a. Check the door has not been locked by a locking device.
- b. Pull the manual release cord away from the door, until you hear a click.
- c. The door will now operate from the opener.

CAUTION: Do not use the string handle as a mechanism to open the door. Failure to comply may cause serious injury.

WARNING! When operating the manual release (while the door is open) the door may fall rapidly due to weak or broken springs, or due to being improperly balanced. Do not disengage the opener to manual operation with children/ persons or any objects including motor vehicles within the doorway.



WARNING! Tracklock is NOT active when opener is disengaged from the track.

Dominator Garage Doors & Openers

46 Braeburn Drive, Hornby, Christchurch, New Zealand

Dominator Locations Nationwide

PH: 0800 DOMINATOR (366 462)

or visit: dominator.co.nz/dealer-locations

Prefixed trademarks are the property of B&D Door NZ Ltd. Dominator Garage Doors & Openers is a division of B&D Group Pty Ltd. ABN 25 010 473 971. © 2019 B&D Group Pty Ltd.

dominator.co.nz

your representative is

